

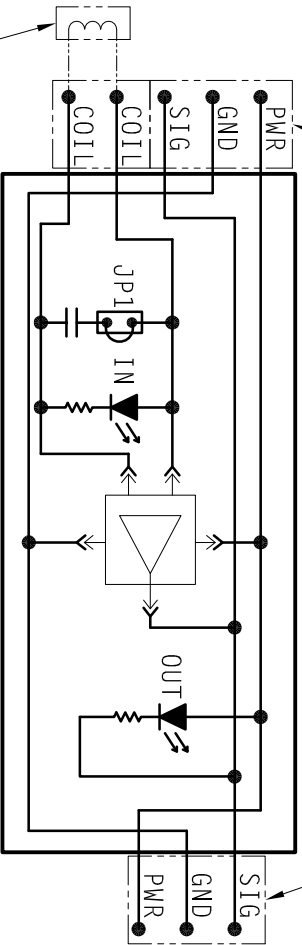
**AMPLIFIER BASE**  
**OSINE PART NO: 11703A12**

OPERATING TEMPERATURE RANGE:  
 -40°C TO +85°C

MAXIMUM INPUT VOLTAGE:  
 30 VDC

JP1 HAS BEEN PERMANENTLY INSTALLED TO REDUCE JITTER INDUCED BY ROUGH CUT GEARS AT LOW SPEED. OPERATION ABOVE 10KHZ MAY REQUIRE THE JUMPER TO BE REMOVED OR CLIPPED.

PWR, GND & SIG CONNECTIONS ARE COMMON AND CAN BE MADE TO EITHER SIDE OF THE BASE

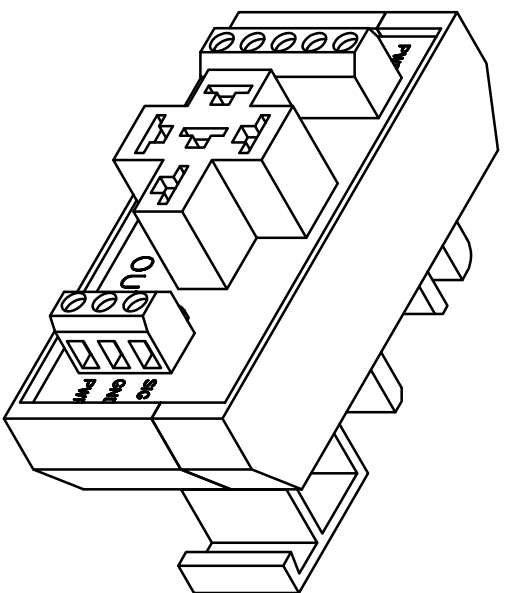


MAG PICKUP  
 BY CUSTOMER

\*\*\*WARNING\*\*\*  
 CANNOT BE USED WITH AUTOMOTIVE STYLE  
 RELAY

**ELECTROSTATIC  
 DISCHARGE SENSITIVITY**

THIS CIRCUIT CAN BE DAMAGED BY ESD. IT IS RECOMMENDED THAT ALL CIRCUITS BE HANDLED WITH APPROPRIATE PRECAUTIONS. FAILURE TO OBSERVE PROPER HANDLING PROCEDURES CAN CAUSE DAMAGE.



FILTER JUMPER

